



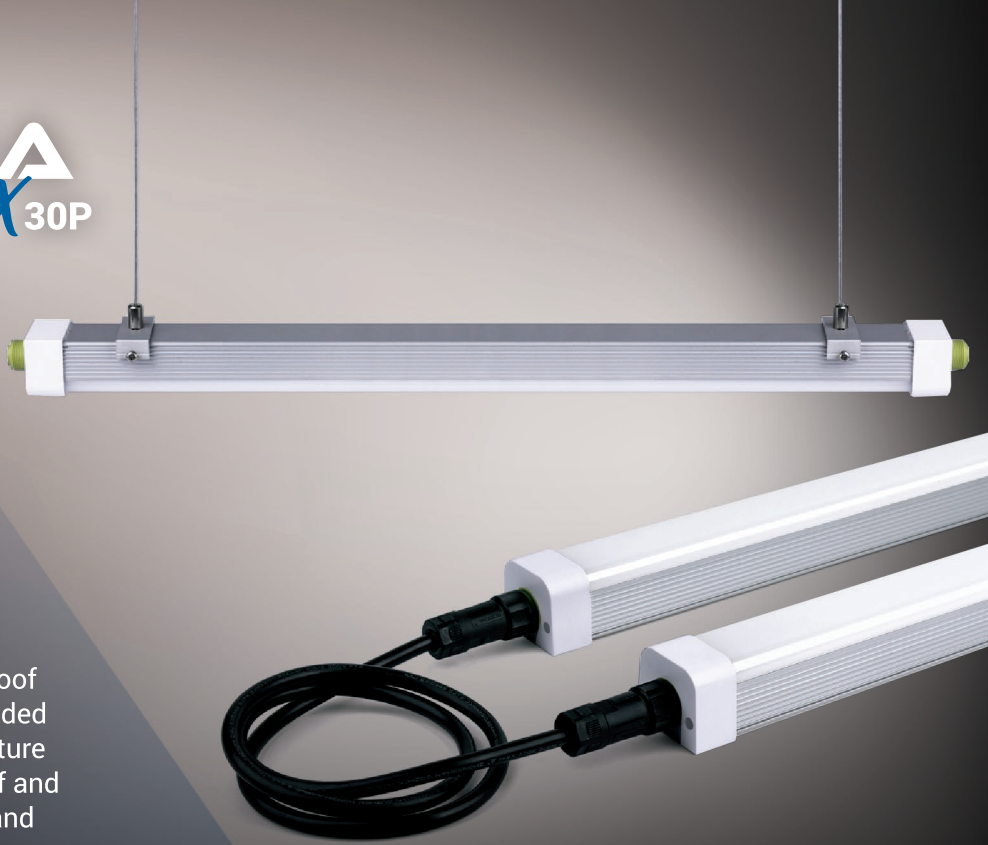
by Lumalex
LED Lighting Solutions

The Spectra FX 30P Outperforms The Competition

This fixture is designed for the propagation of new plants. It is engineered with a specific colour temperature and light spectrum, to rapidly increase your plant growth.

The Spectra FX P30 is provided with a clear polycarbonate lens for quality and shatterproof light transmission. It has an aluminum extruded body that acts as a perfect heatsink. The fixture has an IP66 rating, making it both dust-proof and waterproof, allowing for easy maintenance and cleaning in place.

The Spectra FX 30P comes in multiple lengths (2' to 8'), allowing for flexible mounting options, depending on racking or shelving configurations. It is designed to operate as a single light fixture or linkable up to 600 watts on a single circuit (up to fifteen 4' fixtures).



COMPACT DESIGN & HUGE POWER SAVINGS

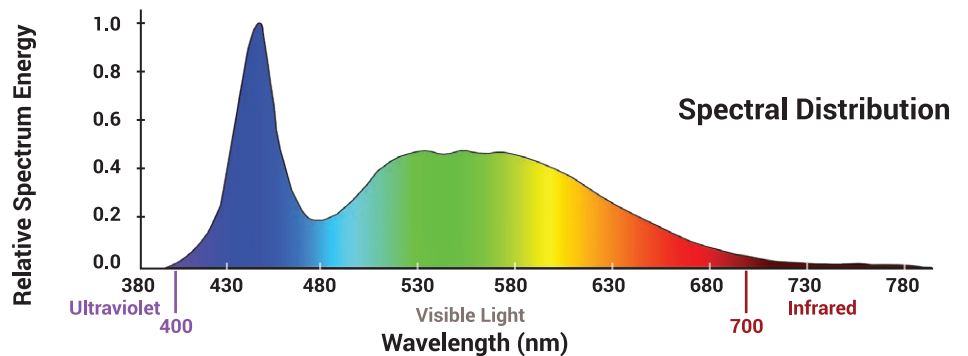
- Improved Plant Growth
- Increased Yields
- Accelerated Harvest

THE Spectra FX 30P DIFFERENCE

The Spectra FX 30P is a very reliable LED lighting solution designed to outperform the competition and our specifications are proof to support that statement.



LUXEON SunPlus Series
for Horticulture





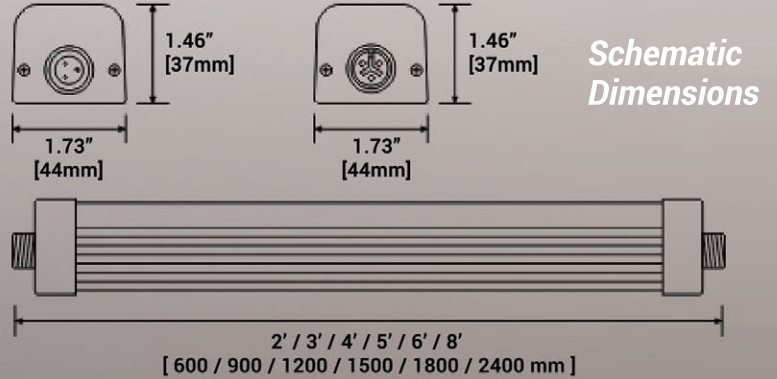
Leading edge technology,
engineered for efficiency.

MODEL NO. LHL-30G

SPECIFICATIONS

Weight	0.675kg (1.5lbs)
Certifications	ETL, DLC
LED Lifespan	> 50,000 hrs
Warranty	5 years
Thermal Mgmt.	Aluminum Passive Heatsink
Input Voltage	100-277 Volts AC
Power Consumption	30 Watts
CCT	5500K
Efficacy	130 Lumens Per Watt / 5200 Lumens
Distribution	175 degrees
Body Lens	Polycarbonate Lens
Power Factor	> 0.95
IP Rating	IP65 Waterproof
Controls	Triac Dimming Option

**Optional suspendable hangers available*



LEAD YOUR INDUSTRY • *Call us and we'll help get you there.*

CONTACT US

lumalex.ca

Canada Office: (250) 490.9009 grow@lumalex.ca
 Rob Campbell: (250) 808.4106 rcampbell@lumalex.ca
 Gary Martin: (250) 809.4066 gmartin@lumalex.ca

USA Office: Spectrasis
 Robb Sterling: (303) 525.6079 robb@spectrasis.com
 Taylor Surroz: (303) 521.7927 taylor@spectrasis.com

Lumalex Canada Inc. 104 - 1652 Fairview Rd, Penticton, BC V2A 6A7

Spectrasis 6145 Broadway, Unit 55, Denver, Colorado, 80216