



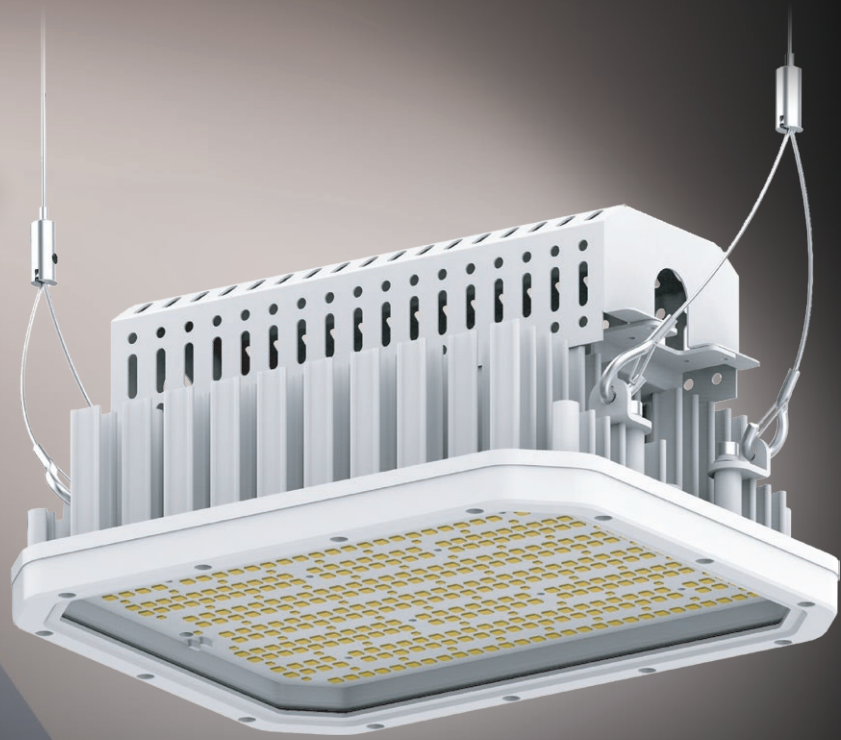
by Lumalex  
LED Lighting Solutions

### The Spectra FX 320G Outperforms The Competition

This is a Full Spectrum fixture that delivers the 'Right Light' and is reliably built along with the same design features as the Spectra FX 650. Designed for smaller rooms or grow tent applications the Spectra FX 320 offers a very high-quality solution for the grower with excellent performance.

The Spectra FX 320 is provided with an ultra-clear tempered glass lens for superior light transmission along with a cold forged-aluminum heatsink providing excellent heat dissipation and an IP66 waterproof rating. The same as the 650G, the 320G can be cleaned in place and is completely upgradeable. Plug and play circuit boards along with easy access driver cover make maintenance simple.

The Spectra FX 320 provides excellent energy savings and is virtually 100% recyclable offering the environmentally conscious grower a low carbon footprint light source.



## COMPACT DESIGN & HUGE POWER SAVINGS

- Improved Plant Growth
- Increased Yields
- Accelerated Harvest

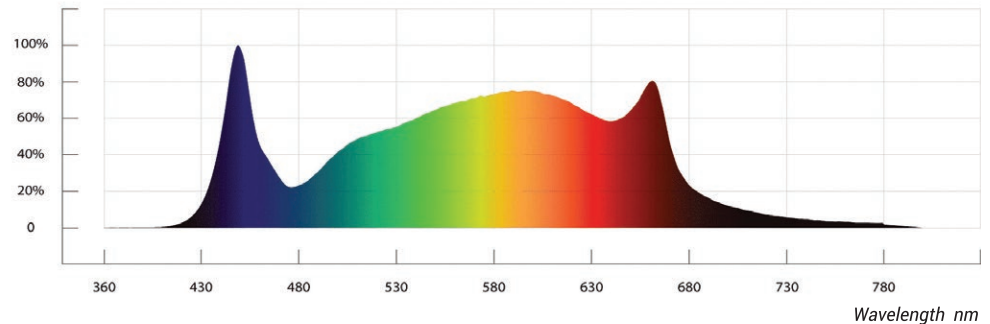
## THE Spectra FX 320G DIFFERENCE

The Spectra FX 320G is a very reliable LED lighting solution designed to outperform the competition and our specifications are proof to support that statement.



LUXEON SunPlus Series  
for Horticulture

Measurements of Normalized Photosynthetic Photon Flux (relative to spectrum)





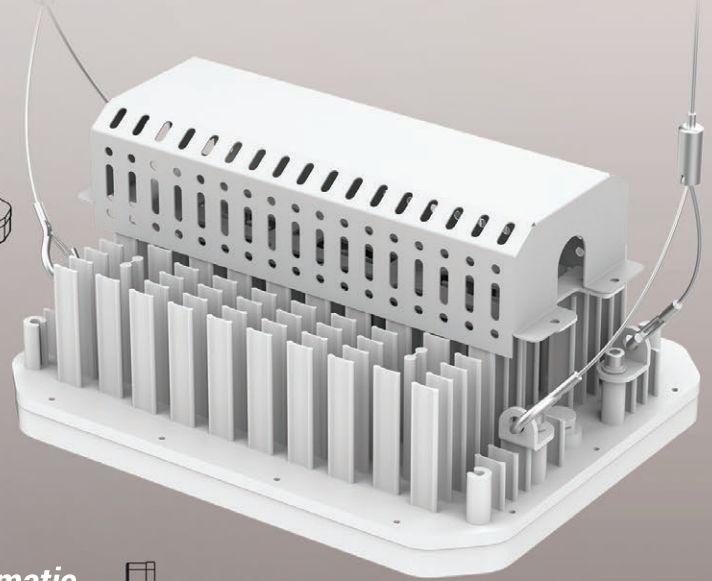
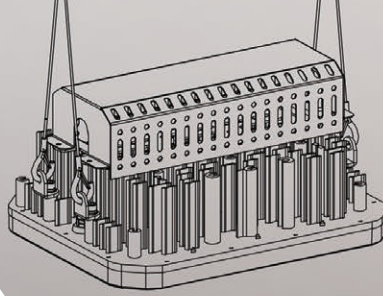
Leading edge technology,  
engineered for efficiency.

**MODEL NO. LHL-320G-FS**

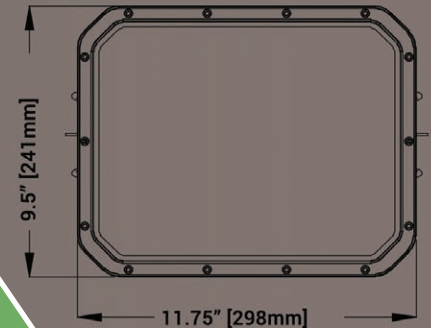
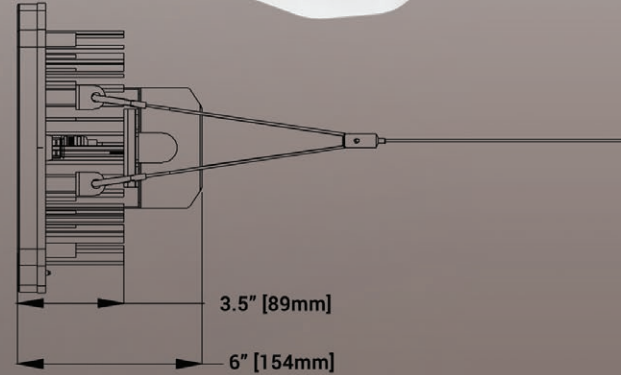
**SPECIFICATIONS**

Weight	7.3kg (16lbs)
Certifications	ETL, DLC (pending)
LED Lifespan	> 50,000 hrs
Warranty	5 years
Thermal Mgmt.	Passive Heatsink
Controls	0-10 dimming
Input Voltage	100-277 Volts AC   347-480 Volts AC
Power Consumption	320 Watts
PPF	770
Efficacy	2.31 or greater* (relative to spectrum)
Distribution	120 degrees
Body Lens	Ultra-Clear Tempered Glass
Power Factor	> 0.95
<i>Cold Forged Pure Aluminum Heatsink Housing.</i>	
IP Rating	IP66 Waterproof

*\*Custom Spectrums Available \*Adjustable Cable Hangers*




*Schematic Dimensions*




**LEAD YOUR INDUSTRY** • *Call us and we'll help get you there.*

**CONTACT US**

**lumalex.ca**

 **Canada Office:** (250) 490.9009 [grow@lumalex.ca](mailto:grow@lumalex.ca)  
 Rob Campbell: (250) 808.4106 [rcampbell@lumalex.ca](mailto:rcampbell@lumalex.ca)  
 Gary Martin: (250) 809.4066 [gmartin@lumalex.ca](mailto:gmartin@lumalex.ca)

Lumalex Canada Inc. 104 - 1652 Fairview Rd, Penticton, BC V2A 6A7

 **USA Office:** **Spectrasis**  
 Robb Sterling: (303) 525.6079 [robb@spectrasis.com](mailto:robb@spectrasis.com)  
 Taylor Surroz: (303) 521.7927 [taylor@spectrasis.com](mailto:taylor@spectrasis.com)

Spectrasis 6145 Broadway, Unit 55, Denver, Colorado, 80216