

SPECTRA FX 650G

by Lumalex
LED Lighting Solutions

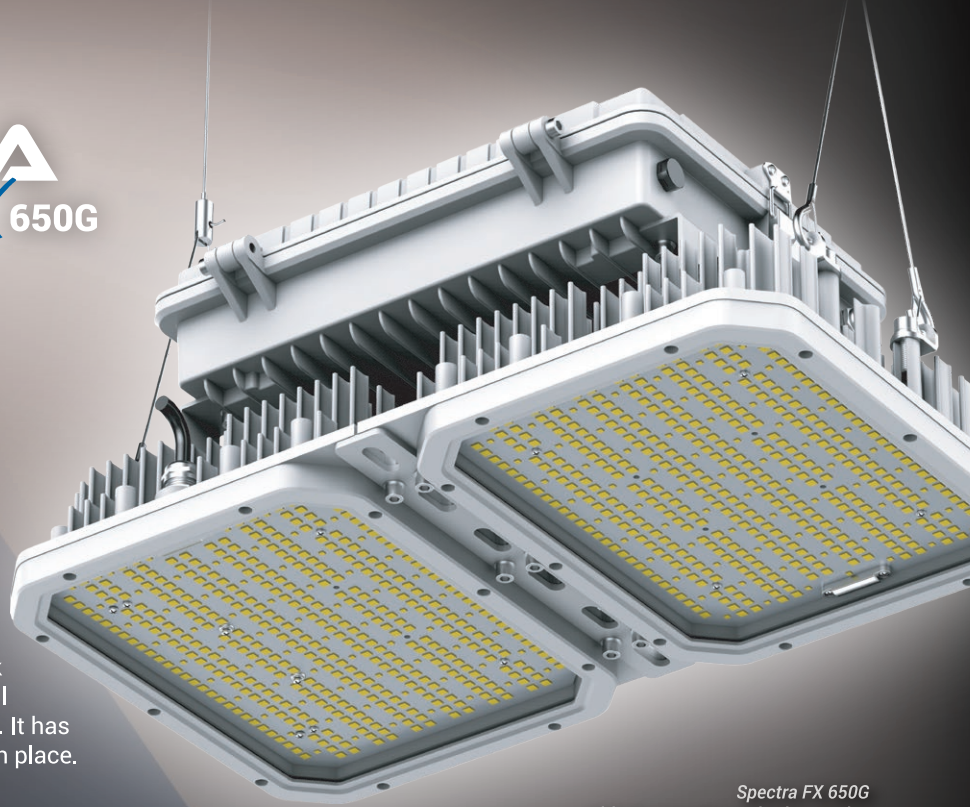
The Spectra FX 650G is a Robust Workhorse

This fixture is a Full Spectrum horticultural lighting solution that delivers the 'Right Light'. It is perfectly suited for greenhouse lighting as well as a sole source lighting solution for indoor growing.

The Spectra FX 650G is provided with a specialized, ultra-clear tempered glass lens for superior light transmission. It has a cold forged-aluminum heatsink housing, providing excellent heat dissipation. This will significantly extend the service life of the light fixture. It has an IP66 waterproof rating and can be spray cleaned in place. It requires little or no maintenance.

The Spectra FX 650G is completely upgradeable at an economical cost. Plug and play LED circuit boards along with the waterproof, easy access driver case make maintenance simple. If required, the driver case can be remotely mounted, offering less hanging weight and further cooling of the complete fixture housing'.

The Spectra FX 650G provides substantial energy savings over 40% while also being virtually 100% recyclable, offering the environmentally conscious grower a low carbon footprint light source.



Spectra FX 650G
With Remote Mounted Driver Option



40%+ POWER SAVINGS

- Improved Plant Growth
- Increase Yields
- Accelerate Harvest

THE Spectra FX 650G DIFFERENCE

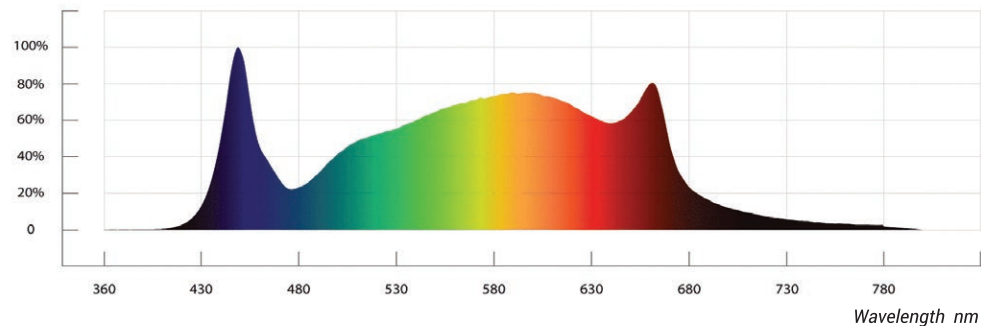
The Spectra FX 650G is the first in a series of high efficiency LED lighting solutions designed to outperform the competition and our specifications are proof to support that statement.

LUMILEDS



LUXEON SunPlus Series
for Horticulture

Measurements of Normalized Photosynthetic Photon Flux (relative to spectrum)



FULL SPECTRUM
© Copyright 2021 Lumalex Canada Inc.



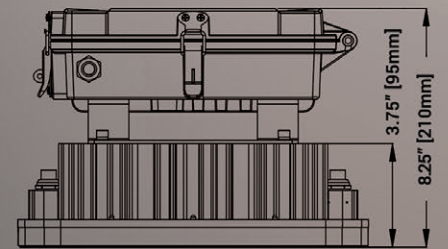
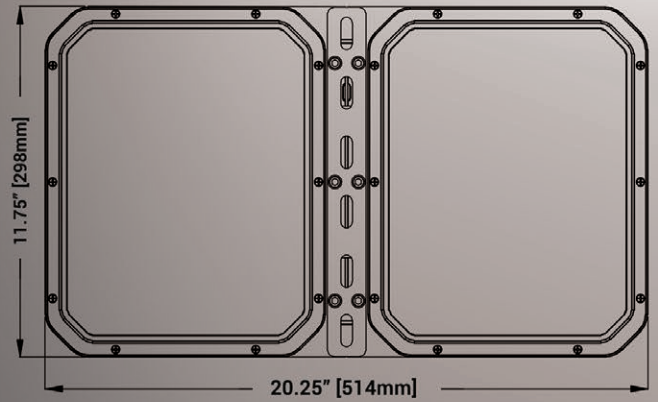
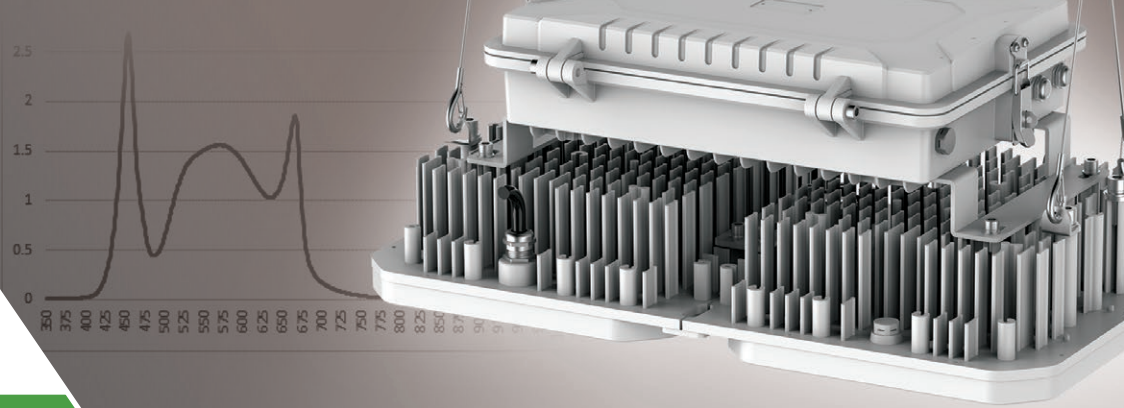
Leading edge technology,
engineered for efficiency.

MODEL NO. LHL-650G-FS

SPECIFICATIONS

| | |
|--|---|
| Weight | 15kg (33lbs) |
| Certifications | ETL, DLC (pending) |
| LED Lifespan | > 50,000 hrs |
| Warranty | 5 years |
| Thermal Mgmt. | Passive Heatsink |
| Controls | 0-10 dimming |
| Input Voltage | 100-277 Volts AC 347-480 Volts AC |
| Power Consumption | 655 Watts |
| PPF | 1545 |
| Efficacy | 2.31 or greater* (relative to spectrum) |
| Distribution | 120 degrees |
| Body Lens | Ultra-Clear Tempered Glass |
| Power Factor | > 0.95 |
| <i>Cold Forged Pure Aluminum Heatsink Housing.</i> | |
| IP Rating | IP66 Waterproof |

*Custom Spectrums Available *Remote Mounted Driver Option *Adjustable Cable Hangers



Schematic Dimensions

LEAD YOUR INDUSTRY • Call us and we'll help get you there.

CONTACT US

lumalex.ca

Canada Office: (250) 490.9009 grow@lumalex.ca
Rob Campbell: (250) 808.4106 rcampbell@lumalex.ca
Gary Martin: (250) 809.4066 gmartin@lumalex.ca

Lumalex Canada Inc. 104 - 1652 Fairview Rd, Penticton, BC V2A 6A7

USA Office: Spectrasis
Robb Sterling: (303) 525.6079 robb@spectrasis.com
Taylor Surroz: (303) 521.7927 taylor@spectrasis.com

Spectrasis 6145 Broadway, Unit 55, Denver, Colorado, 80216